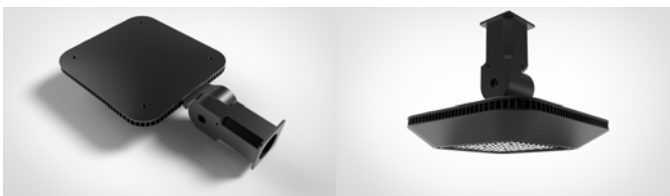


TP260, TP325 series LED Post Top Light



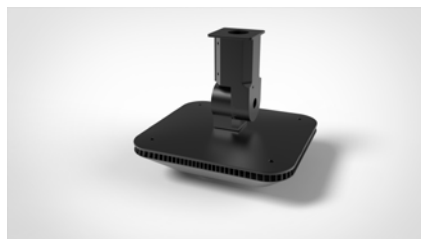
The new TP260,TP325 series LED Post Top Light is the fantastic result.This light is a perfect solution for outdoor parking lot and area lighting.Considering the preference of the installation styles in different need,this series come with 11 main variant:style A-F,to mostly suit the local demand and easier for our customer in making project.

The body of is just so slim.But behind it is the superb system efficacy,heat radiation ability,and though endurance for brutal working environment.

Advantage:

- ETL cETL DLC FCC CE ROHS certificate
- Seoul 1919 Chip, high CRI
- Meanwell driver or SOSEN driver, Input voltage 120-277Vac or 200-480Vac
- 140*100° lens beam angle
- Optional light-controlled and surge protection function
- No UV or IR in the beam
- 8 kinds of installation brackets,square pole,round pole,wall.
- Energy saving, Long lifespan
- Light is soft and uniform, Safe to eyes
- Photocell and TVSS can be applied.
- Fishbone style high efficiency heat sink.
- Easy installation and maintenance.

Installation brackets:



D4



AA3



A2A3



B3



C3



D3



E3



F3



AA4



Photocell sensor



A



B



C



D



E

ETL report models:

Product	LED Post Top Light				
Brand name	YAORONG				
Description	The product covered by this report is pole mounted light for wet location use, provided with cord for field wiring supply connection.				
Models	YR-TP500-W35-X-Yn, YR-TP500-W50-X-Yn, YR-TP500-W100-X-Yn, YR-TP500-W150-X-Yn, YR-TP500-W200-X-Yn, YR-TP500-W300-X-Yn, YR-TP260-W020-X-Yn-Zn, YR-TP260-W035-X-Yn-Zn, YR-TP325-W50-X-Yn-Zn, YR-TP325-W100-X-Yn-Zn "X" can be "P" or "NP"; "n" can be "1", "2", "3", "4".				
	These products have same electrical construction in each type luminaire, differences among them are size, number of LED, LED driver and input ratings. "X" can be "P" or "NP", "P" represents with Photoelectric Switch, "NP" represents without Photoelectric Switch. "Yn" represents LED driver, "n" can be "1", "2", "3". "1" represents SOSEN driver employed, "2" represents MEAN WELL "HLG" driver employed, "3" represents MEAN WELL "HVG" driver employed; "Zn" represents different Support bracket, "n" can be "1", "2", "3", "4". Z1 stands a regular vertical installation, Z2=AA3/A2A3/B3/C3/D3/E3/F3, Z3=AA4/A2A4, Z4=D4.				
Model Similarity	Model No.	No. of LED	Number of LED PWB	Overall dimension/mm (L X W X H)	Weight of product (kg)
	YR-TP500-W35-X-Y2	60	2	558 X 558 X 400.2	13
	YR-TP500-W35-X-Y1				
	YR-TP500-W50-X-Y1	60	2		
	YR-TP500-W50-X-Y2				
	YR-TP500-W50-X-Y3				
	YR-TP500-W100-X-Y1	120	2		
	YR-TP500-W100-X-Y2				
	YR-TP500-W100-X-Y3				
	YR-TP500-W150-X-Y2	120	2		
	YR-TP500-W150-X-Y3				
	YR-TP500-W200-X-Y2	160	2		
	YR-TP500-W200-X-Y3				
	YR-TP500-W300-X-Y2	160	2		
	YR-TP500-W300-X-Y3				
	YR-TP260-W020-X-Y1-Z1	30	1	240 X 286.6 X 340.7	3.6
	YR-TP260-W035-X-Y1-Z1	30	1		
	YR-TP325-W50-X-Y2-Z1	30	1	300 X 351.8 X 436.5	5.8
	YR-TP325-W50-X-Y1-Z1				
	YR-TP325-W50-X-Y3-Z1				
YR-TP325-W100-X-Y2-Z1	70	1			
YR-TP325-W100-X-Y1-Z1					
YR-TP325-W100-X-Y3-Z1					



2.0 Product Description					
Ratings	50/60Hz				
	Model No.	Voltage (Vac)	Current (A)	Wattage (W)	LED Driver
	YR-TP500-W35-X-Y2	100-277	0.43	35	HLG-40H-36B
	YR-TP500-W35-X-Y1		0.5		SS-35H-40B
	YR-TP500-W50-X-Y1	100-277	0.7	50	SS-50H-40B
	YR-TP500-W50-X-Y2		0.64		HLG-60H-42B
	YR-TP500-W50-X-Y3	200-480	0.39		HVG-65-42B
	YR-TP500-W100-X-Y1	100-277	1.6	100	SS-120H-36B
	YR-TP500-W100-X-Y2		1.4		HLG-120H-42B
	YR-TP500-W100-X-Y3	200-480	0.5		HVG-150-48B
	YR-TP500-W150-X-Y2	100-277	2.1	150	HLG-185H-48B
	YR-TP500-W150-X-Y3	200-480	0.88		HVG-150-42B
	YR-TP500-W200-X-Y2	100-277	4	200	HLG-240H-48B
	YR-TP500-W200-X-Y3	200-480	0.8		HVG-240-48B
	YR-TP500-W300-X-Y2	100-277	4.2	300	HLG-185H-48B*2
	YR-TP500-W300-X-Y3	200-480	0.5		HVG-150-42B*2
	YR-TP260-W020-X-Y1-Z1	100-277	0.5	20	SS-35H-40B
	YR-TP260-W035-X-Y1-Z1	100-277	0.5	35	SS-35H-40B
	YR-TP325-W50-X-Y2-Z1	100-277	0.64	50	HLG-60H-42B
	YR-TP325-W50-X-Y1-Z1		0.7		SS-50H-40B
YR-TP325-W50-X-Y3-Z1	200-480	0.22		HVG-65-42B	
YR-TP325-W100-X-Y2-Z1	100-277	1.4	100	HLG-120H-42B	
YR-TP325-W100-X-Y1-Z1		1.6		SS-120H-36B	
YR-TP325-W100-X-Y3-Z1	200-480	0.5		HVG-150-48B	
Other Ratings	NA				

Application :

It is mainly designed for car parking lots, plaza lighting, outdoor sports etc, with accurate light distribution design, they have very good uniformity to meet flood lighting requirements for these applications.

Technical Characteristic

Color temperature	3000K , 3500K	4000K , 4500K	5000K
CRI	>70		
LED chip	Seoul 1919		
Lumen Efficacy	110-115 LM/W		
Input Power	20W, 35W, 50W, 100W,		
Viewing Angle	140*100 Degree (Type III)		
Input Voltage	120-277Vac 50/60Hz or 200-480V		
Driver model	Meanwell Driver or Sosen Driver		
PFC	>0.9		
Waterproof Rating	IP65		

Materials

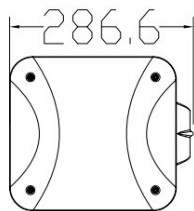
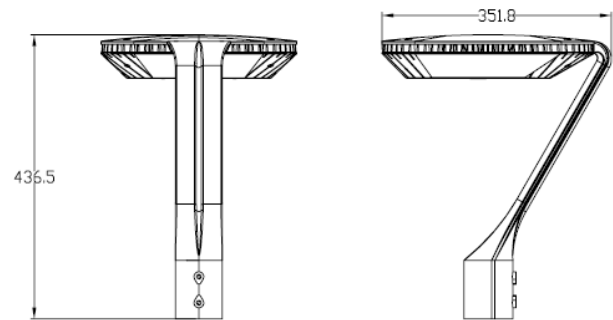
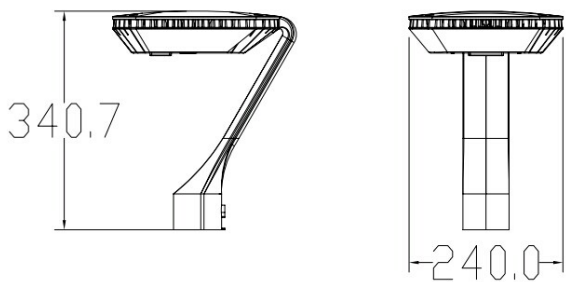
Operating Temperature	-40°C TO 45°C
Operating Humidity	20%-90% RH
Storage Temperature	-30°C TO 80°C
Storage Humidity	10%-95%
Application	Outdoor
Safety Certification	ETL、cETL、DLC、CE、ROHS
Warranty Time	5 Years

LED post top light:

Efficient, Customizable, and aesthetically modern, this fixture is one of the most popular products we've offered to date. An IP 65 rating makes this Area light reliable, but YaoRong takes the extra step to offer custom options you can really enjoy. This series offers color temperatures ranging from 3000-5000k, multiple mounting options, and add on's like photocells & surge protectors. it can be applied to areas like garden, road ways, and parking lots.

Multiple Mounting Options
Heavy Duty Slim Design
High Performance LEDs
Meanwell Driver with Long Life Span
Effective Thermal Management
Dark Bronze , black or White Finish

Dimension

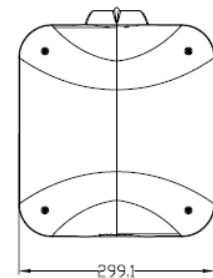


TP260 series

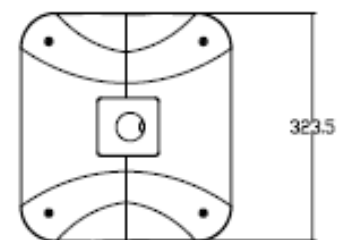
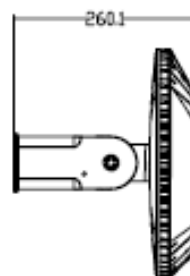
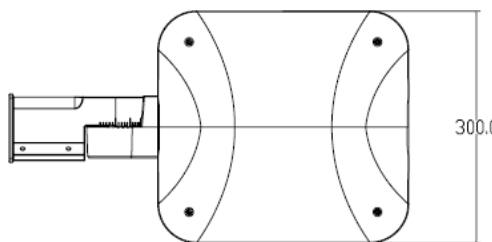
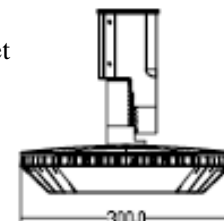
TP325 series A3 bracket



TP325 series



TP325 series B3 bracket



Installation Instruction:

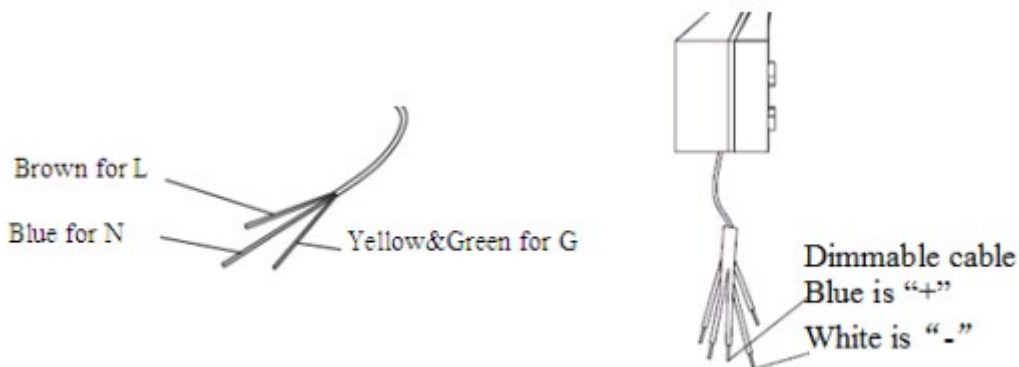
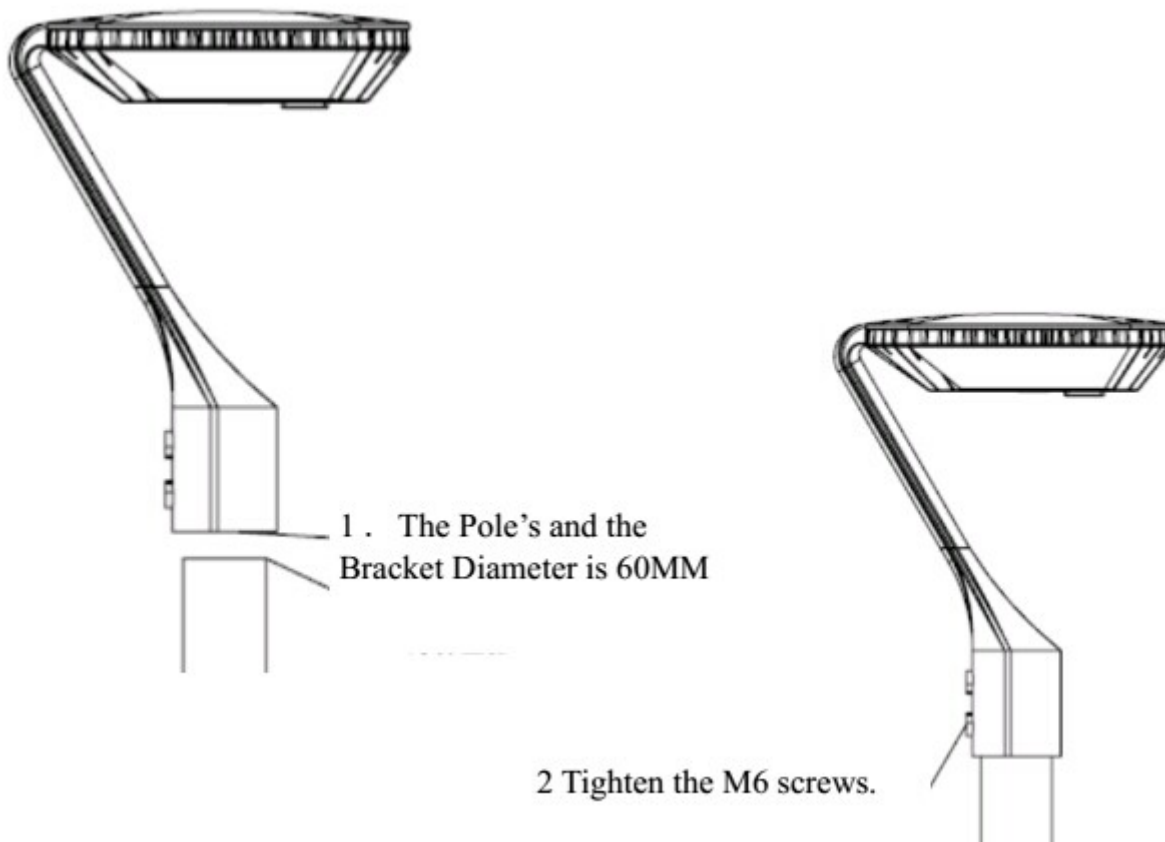
AA4, A2A3: TOP MOUNTING ROUND POLE

B3 or D3: SIDE MOUNTING SUPARE POLE / WALL

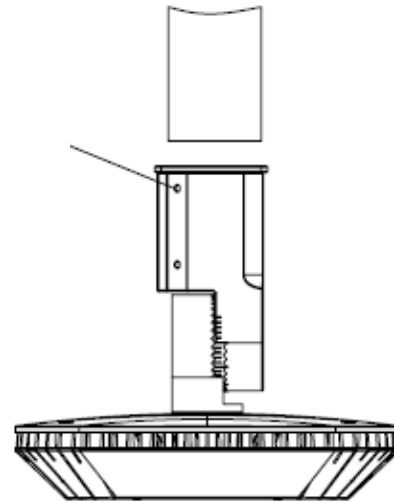
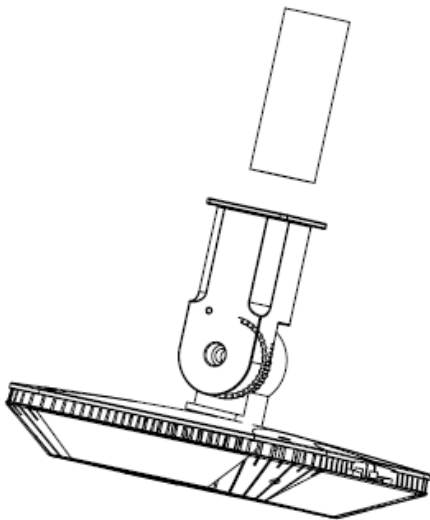
C3 or E3: SIDE MOUNTING ROUND POLE

F3: YOKE MOUNTING

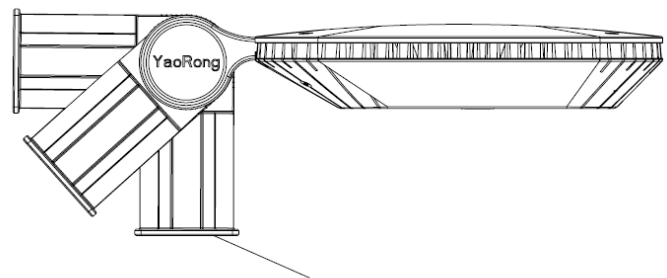
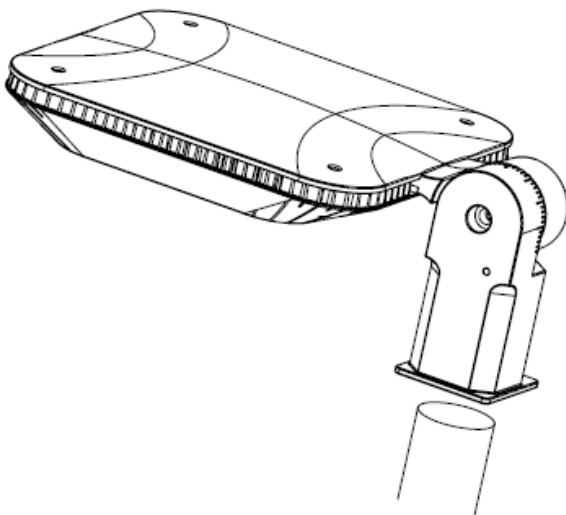
Round Pole Diameter 60MM



Type AA4 Adapter for round pole. (Top)

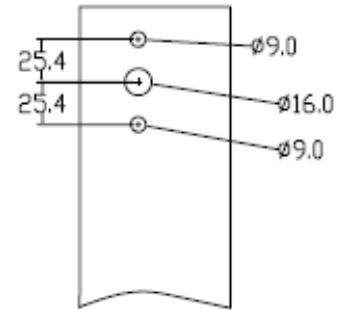
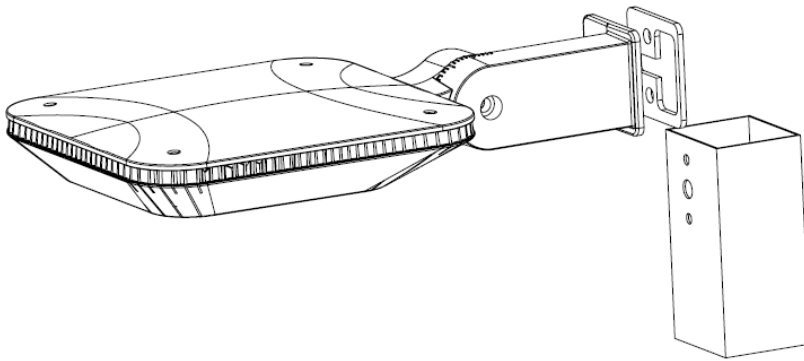


Type A2A3 Adapter for round pole.



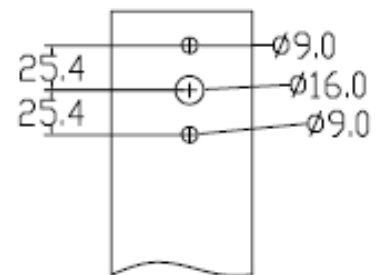
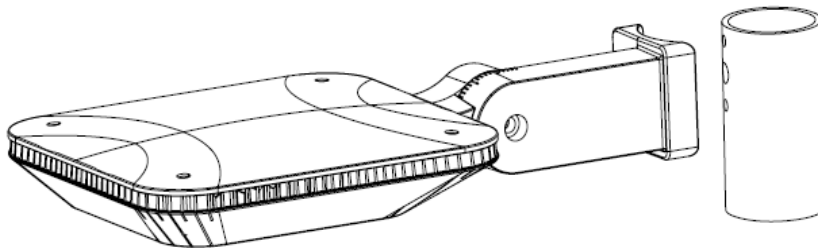
Type B3 Adapter for square pole.

The hole site of the square pole to use fix the lamp



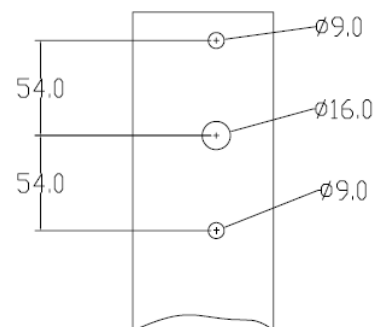
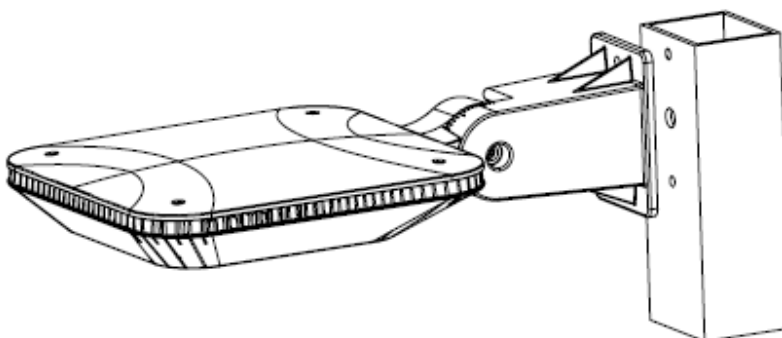
Type C3 Adapter for round Pole diameter 60mm-114mm

The hole site of the round pole to use fix the lamp



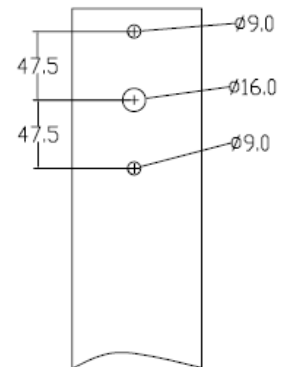
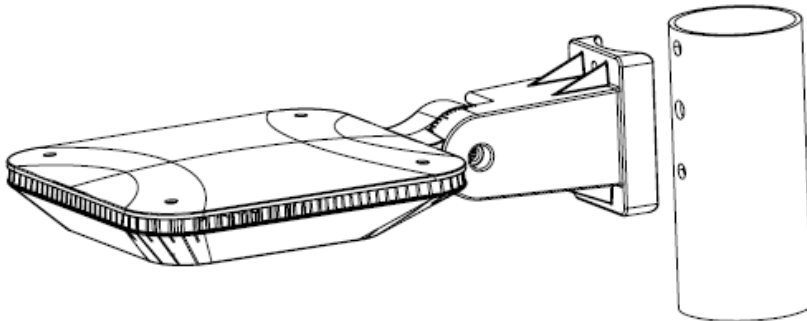
Type D3 Adapter for square Pole and wall

The hole site of the square pole to use fix the lamp

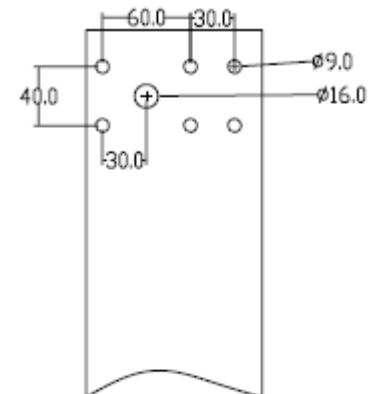
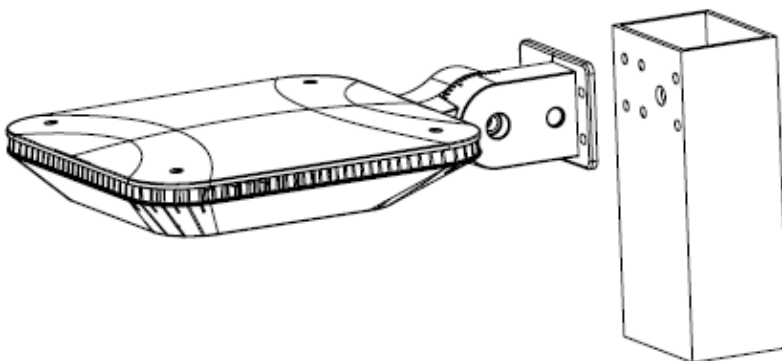


Type E3 Adapter for round Pole diameter 60mm-114mm

The hole site of the square pole to use fix the lamp



Type F3 Adapter for round Pole diameter 60mm-



Installation Caution

- 1、 Make sure the power has been turned off before maintenance.
- 2、 Clean the lens cover regularly to maintain high transmission of light.
- 3、 Clean up the dust from the reflector and heat sink regularly to keep sound heat dispersion.
- 4、 Be careful not to use water or corrosive solution for cleaning, preferably with a dry cloth.
- 5、 When install or replace power supply, directly open the back cover with a screwdriver, then remove the power supply. There are three-core cable of AC power, red corresponds to the power of "L", blue to "N", and green or yellow to "G".